



SEDONA BY LYNX™ SERIES

# 30" SEDONA BUILT-IN GRILL

WITH 2 STAINLESS STEEL BURNERS (L500)



OPEN VIEW

## L500 PRODUCT OVERVIEW

- Variable power—two Stainless Steel Burners combining to provide up to 46,000 BTU
- Consistent assurance—direct spark ignition with battery backup
- Perfect clarity—dual halogen grill surface lights
- Quick visibility—temperature gauge
- Easy opening—Lynx Hood Assist Kit
- Steadfast durability—heavy-duty welded construction eliminates gaps where grease can collect
- Ample capacity—733 square inches of cooking surface (508 primary, 225 secondary)
- Beautiful illumination—blue-lit control knobs
- Steady performance—heat-stabilizing design
- Smooth opening—fluid rotation handle
- Premier platform—stainless steel grilling grates



FOR A COMPLIMENTARY CUSTOM DESIGN FOR YOUR OUTDOOR KITCHEN, VISIT [LYNXGRILLS.COM/DESIGN-CENTER](http://LYNXGRILLS.COM/DESIGN-CENTER)

## L500 PRODUCT FEATURES

The Sedona by Lynx™ Series is always evolving to be the best at something new. That philosophy is reflected in its features. We've refined these features to give you a grilling experience that's both simple and stunning.



STAINLESS STEEL BURNERS



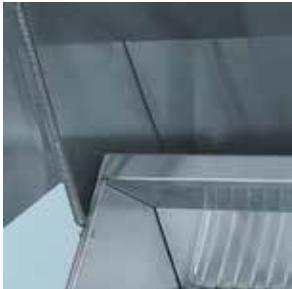
SPARK IGNITION SYSTEM



SEAMLESS WELDED CONSTRUCTION



INTEGRATED ILLUMINATION



LYNX HOOD ASSIST



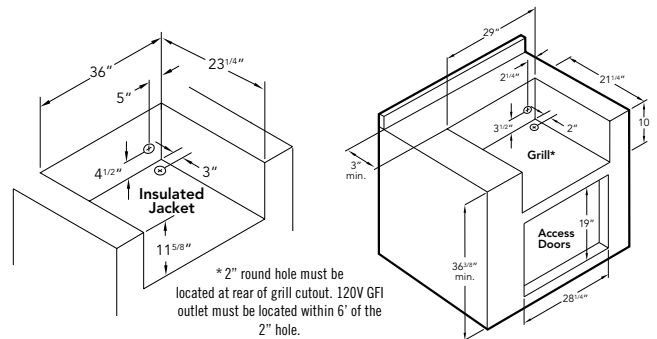
CERAMIC RADIANT BRIQUETTES



EXPANSIVE GRILLING SURFACE

FOR MORE INFORMATION ON SEDONA BY LYNX™ SERIES PRODUCT FEATURES, PLEASE VISIT [LYNXGRILLS.COM](http://LYNXGRILLS.COM)

### L500 ISLAND PREPARATION



PRODUCT SPECIFICATIONS & INSTALLATION



CUT-OUT DIMENSIONS: WIDTH: 29" / HEIGHT: 10" / DEPTH: 21.25"



SHIPPING DIMENSIONS: WIDTH 35" / HEIGHT 33.5" / DEPTH 30"  
SHIPPING WEIGHT: 168 POUNDS



GAS REQUIREMENTS: SHIPS IN LIQUID PROPANE OR NATURAL GAS FROM FACTORY

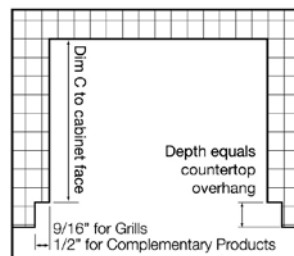


ELECTRICAL REQUIREMENTS: INSTALLATION REQUIRES AN OUTDOOR 120V/15GFI ELECTRICAL OUTLET ADJACENT TO PRODUCT



COOKING CONFIGURATION: BUILT-IN GRILL WITH 1 PROSEAR INFRARED BURNER AND 1 STAINLESS STEEL BURNER

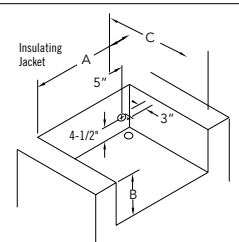
### COUNTERTOP NOTCH DETAIL



### INSULATING JACKET

#### BUILT-IN GRILL WITH INSULATING JACKET

Model	A	B	C
L500	29"	10"	21 3/4"



Note: Insulating jacket required for all grills installed into a combustible enclosure. For natural gas grills, Lynx recommends using 3/4" gas lines. Side burners may be rotated 90 degrees. See installation manuals for details.

PRODUCT TECHNICAL SPECIFICATIONS