

30" FLAT TOP GRILL

Model No. C1FTG30



Features:

- Two individually and accurately controlled heat zones
- Heavy gauge food grade cooking surface allows for even heating and easy cleaning
- LED light safety feature indicates when gas supply is on or off
- 400 sq. in. cooking area
- Up to 17k BTU per burner (2 burners total)
- Complete 304 stainless steel construction
- Includes stainless steel cover for cooking surface
- Removable grease trap easily accessible
- Available as a built-in or free-standing

Dimensions:

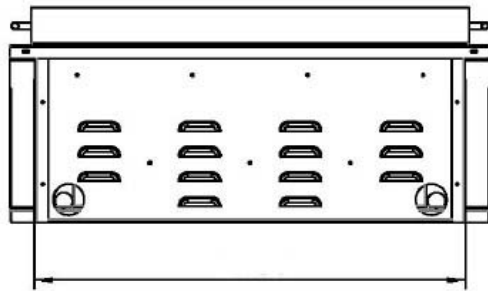
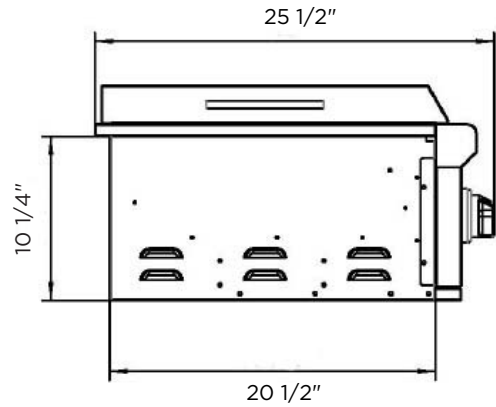
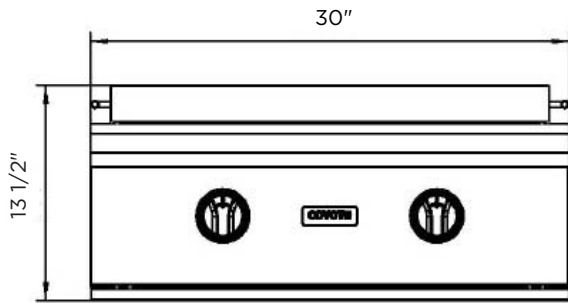
- Built-In:
 - Cutout: (H) 10 1/4" x (W) 27 1/4" x (D) 20 1/2"
 - Overall: (H) 13 1/2" x (W) 30" x (D) 25 1/2"
- Cart Model:
 - Shelves Up: (H) 36 1/2" x (W) x 58 1/2" x (D) 25 1/2"
 - Shelves Down: (H) 36 1/2" x (W) 36" x (D) 25 1/2"

Accessories:

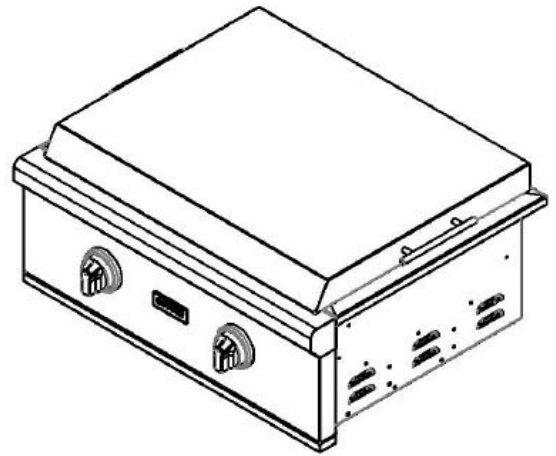
- Free-standing Cart (sold separately)
 - Model No: C1FTCART
- Custom fit, weather resistant cover(s)
- Insulated jacket

C1FTG30 PRODUCT SPECS

DIMENSIONAL RENDERINGS



27 1/4"
Rear View



Overall Product Dimensions			
Model No.	Height	Width	Depth
C1FTG30	13 1/2"	30"	25 1/2"
CJAKTCS30	11"	32 3/8"	23"

Cutout Dimensions for Island			
Model No.	Height	Width	Depth
C1FTG30	10 1/4"	27 1/4"	20 1/2"
CJAKTCS30	11"	30 3/4"	22 1/8"

✓ When using a Coyote insulated jacket, you will want to build your island to the jackets Cutout and Overall Dimensions listed above. Once the jacket is installed, the grill will rest on/inside the insulated jacket

Model No.	Gas Supply	BTU's	Regulator	WC Pressure	Max PSI	Electrical Requirements
C1FTGLP	Propane	34,000	20 lb Tank Regulator	11"	.5 PSI	Qty 1 - 120 VAC 60 Hz Grounded Plug
C1FTGNG	Natural Gas	34,000	1/2" Female Pipe	4"	.5 PSI	Qty 1 - 120 VAC 60 Hz Grounded Plug

Important Note to Installer: This file is not intended to replace your Owners' Manual which contains specific safety requirements and consumer guidelines. Please refer to your Owners' Manual prior to installing or operating your built-in grill.