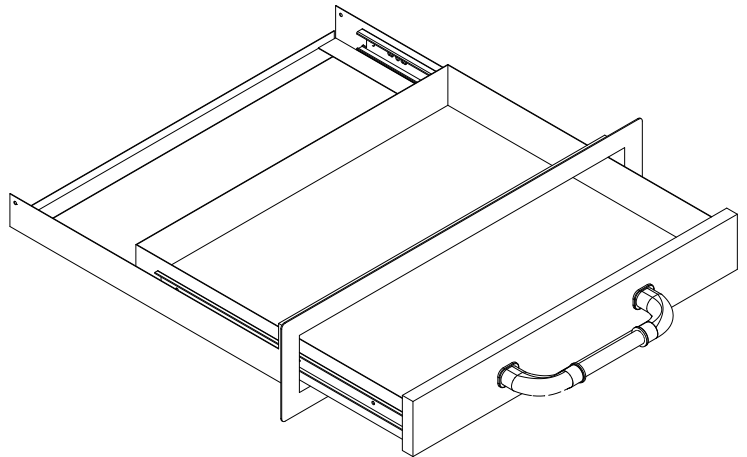


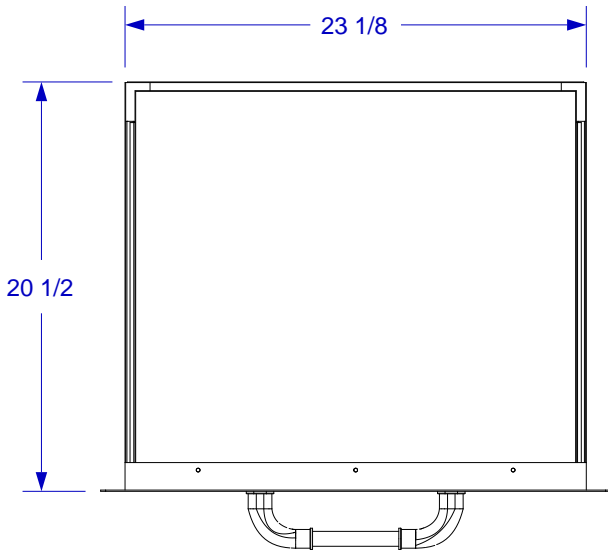


# SINGLE DRAWER

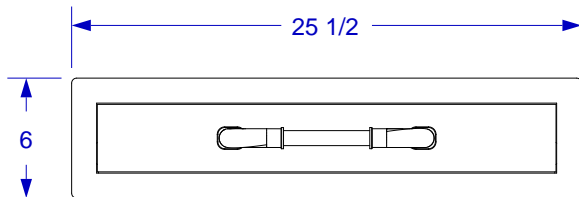
# SPEC SHEET



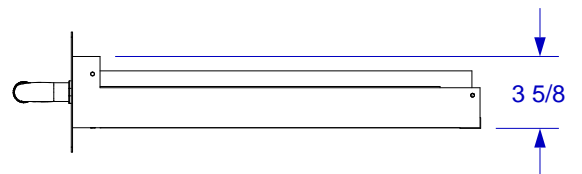
ISOMETRIC VIEW



TOP VIEW



FRONT VIEW



RIGHT SIDE VIEW

**NOTES:**

1. CUTOUT DIMENSIONS: 23 1/4" W X 4" L X 20 3/4" D
2. SCALE: 1 1/4" = 1'-0"
3. REVISION: 10/2009