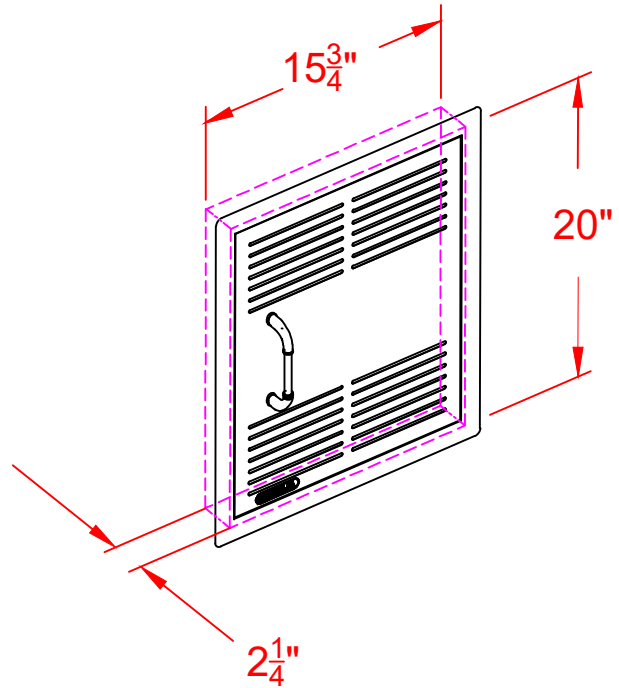
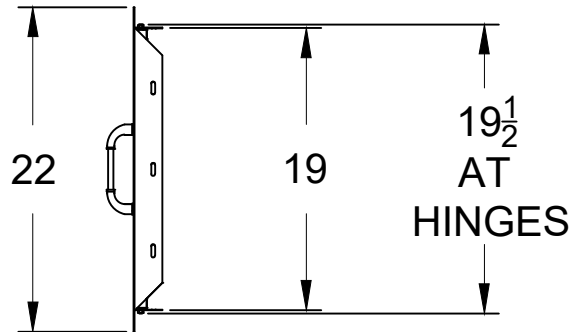
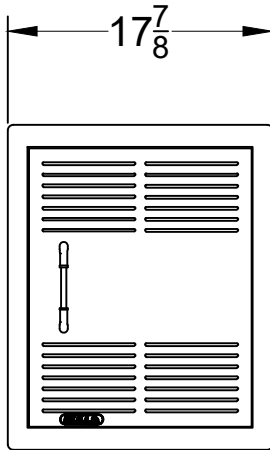
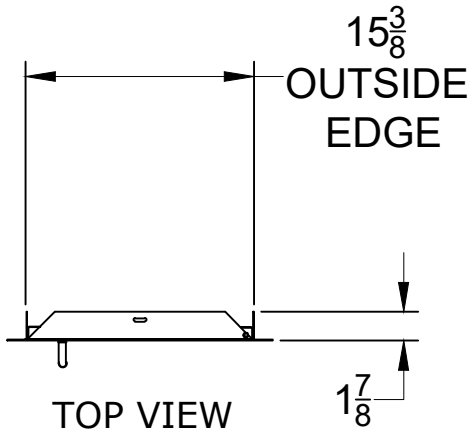




[WWW.BULLBBQ.COM](http://WWW.BULLBBQ.COM)

**SPEC SHEET**  
**ITEM # 89980**  
**SINGLE VENTED**  
**VERTICAL DOOR**



**NOTES:**

- 1) ALL DIMENSIONS ARE IN INCH UNITS
- 2) REFER TO PERSPECTIVE VIEW FOR INSTALLATION CUTOUT DIMENSIONS.