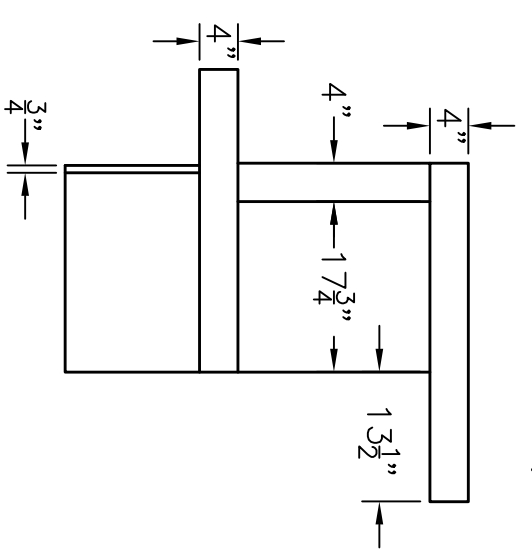
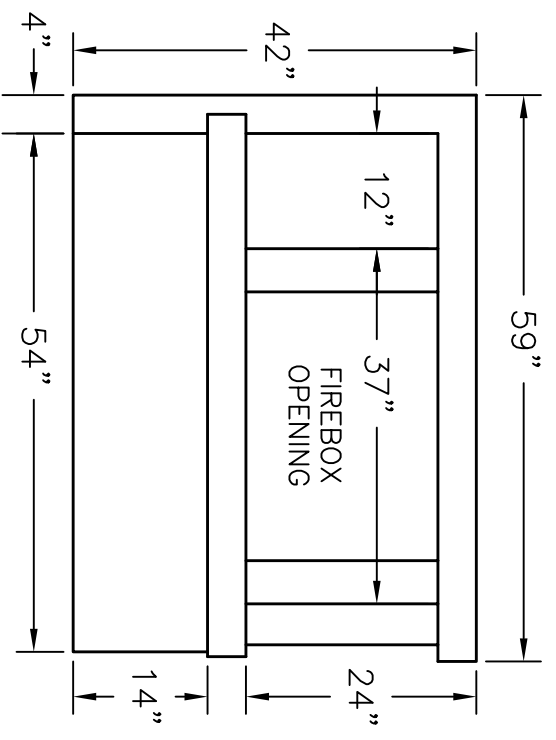
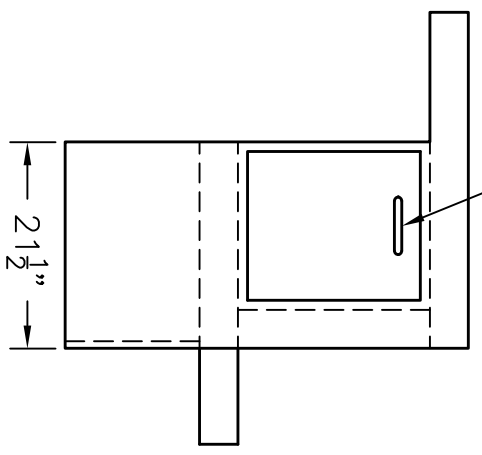


OPTIONAL DOOR  
FOR PROPANE  
STORAGE



**MANHATTAN W/BAR**

DIMENSIONS  
ARE GIVEN IN  
INCHES.

DESIGNS BY GARY  
21811 BELSHIRE AVE.  
HAWAIIAN GARDENS, CA.

SCALE: NONE

DRAWING NO. SE-9074